

HD4UX

ULTRA WIDE DYNAMIC TRUE DAY/NIGHT (TDN) COLOUR RUGGED MINI-DOME CAMERA

Honeywell's HD4UX is the ideal camera for environments with high contrast and changing light conditions. Using the Digital Pixel System® (DPS) Sensor Technology, light photons are converted from analogue to a digital format within each pixel immediately after the image is captured. Even in high contrast lighting conditions, the HD4UX delivers higher quality images and significantly better dynamic range (>100 dB) than conventional CCD cameras.

The HD4UX uses a removable infrared (IR) cut filter in colour mode and an optical low-pass filter (OLPF) in black and white mode, guaranteeing optimal image quality at any time of day. The HD4UX also comes with a one-button camera set-up lever control to access the on-screen display menu. Seven wide dynamic presets allow quick and easy set-up for various applications such as ATMs, loading bays, lobbies, and scenes with intense glare from spotlights or car headlights.

This rugged integrated camera system is loaded with high performance features and is easy to install. With solid die-cast aluminium housing and a scratch-resistant 3.5 mm-thick clear polycarbonate dome cover and dome liner, this unit can withstand heavy external impacts and is IP66 rated for safe outdoor installations. The compact surface mount design allows for fast, easy installation to a ceiling or wall. A 4S adapter plate for mounting over an electrical box is supplied with the unit. A service/monitor cable is included for easy on-site adjustments, and a wall mount kit can be ordered, if needed.

Market Opportunities

The HD4UX True Day/Night Series camera is designed for cost effective installations that require the highest image quality possible, where light conditions are less than optimal, including locations where high contrast and variable light conditions exist. This provides optimum performance for both indoor and outdoor applications including banks, lobbies, atriums, vestibules, gated entrances, foyers, loading bays, port security and parking garages.

Features

- 1/3" Ultra Wide Dynamic DPS imager
- 540 TV lines of resolution
- 32-bit digital processing
- 7 Wide Dynamic presets for easy set up and camera configuration
- Dynamic range: 102 dB typical/ 120 dB max – 100 to 200 times greater than conventional CCD cameras
- 12 VDC/24 VAC with line lock
- 3-D axis gimbal bracket
- Higher frame rates – 50 fps progressive video capture for sharp image definition in all lighting conditions
- 0.4 lux @ F1.4 for true colour representation in daytime and black and white at night
- Local video output for set-up
- Vandal resistant aluminium alloy housing with polycarbonate dome

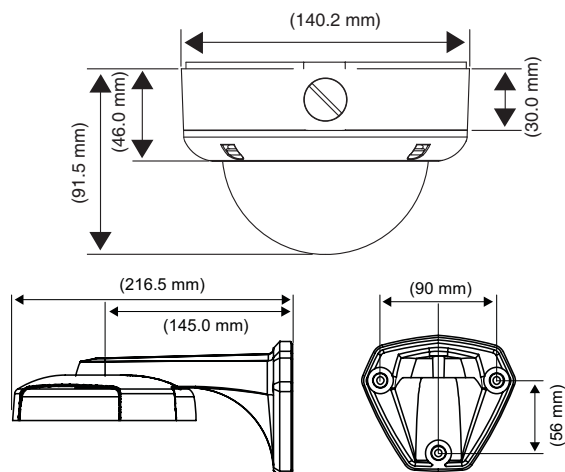


HD4UX

SPECIFICATIONS

Operational	
Video Standard	PAL
Scanning System	625/50 lines (Progressive) (PAL)
Image Sensor	1/3" WDR digital image device
Number of Pixels (H x V)	720 x 540 (PAL)
Minimum Illumination	0.4 lux @ F1.4 (AGC on, 50 IRE) 0.0 lux @ F1.4 (with external IR illumination)
Horizontal Resolution	540 TVL
Video Output	1.0 Vp-p, composite @ 75 Ohms
Sync System	12 VDC: Internal, 24 VAC: Line lock
S/N Ratio	52 dB typical (AGC Off)
Auto Gain Control	On/Off, selectable
ALC	Variable Iris control for DC Drive Lenses
Automatic Electronic Shutter	1/50 – 1/100,000 second (PAL)
White Balance	AWB/ATW/ATW Xtnd/Manual
Dynamic Range	102 dB typical/120 dB max.
Line Lock Phase Adjustment	Adjustable (available only with 24 VAC)
BLC	Variable depending on WDR Preset
Flickerless	On/Off, selectable
Lens Type	2.8-10 mm, Vari-focal Auto Iris, F1.4
Angle of View	Tele: 35.8° (D), 28.7° (H), 21.6° (V) Wide: 123.3° (D), 97.1° (H), 71.8° (V)
Electrical	
Input Voltage	12 VDC/24 VAC
Input Range	11-16 VDC, 17-28 VAC
Surge Suppression	1.5 kW transient
Power Consumption	3.5 W (max)
Cable Entry	One 19 mm NPT threaded opening on side and one on base

Mechanical	
Dimensions (W x H x D)	See Diagram
Weight	2.5 lb (1.1 kg) max
Construction	Housing: Die cast aluminium Dome: Polycarbonate Finish: Light grey powder coating
Connectors	Video Output: BNC connector Power Input: Screw terminal block
Cable Entry	One 19 mm NPT threaded opening on side and one on base
Environmental	
Temperature	Operating: -20°C to 50°C Storage: -20°C to 60°C
Relative Humidity	0% to 90% non-condensing
Regulatory	
Emissions	FCC, CE (EN55022)
Immunity	CE (EN50130-4)
Safety	UL60065, EU: 2006/95/EC
Accessories	
Mounts	
HD4-WK	Wall mount kit



Ordering	
HD4UX	1/3" Ultra Wide Dynamic, True Day/Night Dome Camera, 540 TVL, 2.8-10 mm VFAL, PAL

Digital Pixel System is a registered trademark of Pixim, Inc.

Honeywell Security & Data Collection

Honeywell Systems Group
Aston Fields Road
Whitehouse Industrial Estate
Runcorn
Cheshire
WA7 3DL
Tel: 08448 000 235
Fax: 01928 701 063
www.honeywell.com/security/uk

HVS-HD4UX-01-UK(0908)DS-COE
September 2008
© 2008 Honeywell International Inc.

Honeywell